

## OSLO TIMBER CLAD SEMI ENCLOSED CYCLE COMPOUND

Our **ELK OSLO** Cycle Shelter is a semi enclosed cycle parking solution offering great aesthetics. The timber frame with diagonal bracing at the top help the shelter to blend into areas where a more traditional look is preferred. This three sided shelter offers superior protection from the elements and is a refreshing alternative to the other steel options on the market.

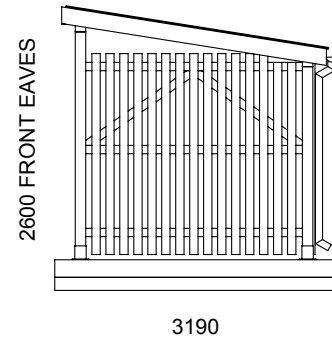
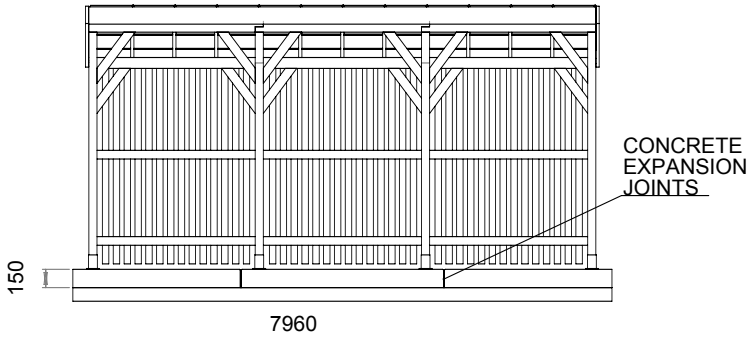
### *Free no obligation quotation*

Should you require any further information on colours or other general enquiries please call the sales line or send us a quick email, or visit the website.

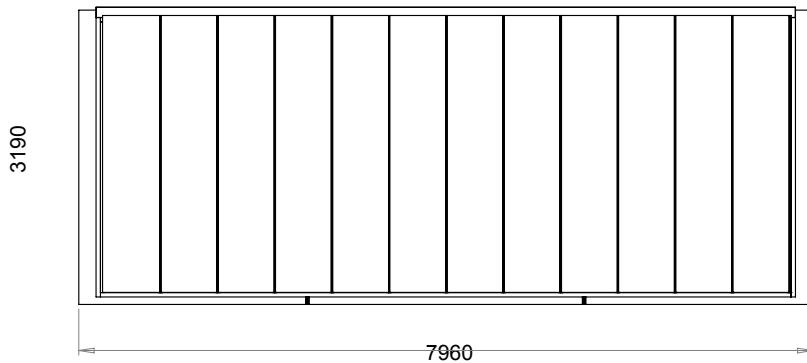


## TECHNICAL DRAWING

### Typical Layout and specifications



OVERALL DIMENSIONS INCLUDING BASE



- POSTS** - 120MM X 120MM LAMINATE PLAYGRADE TIMBER
- ROOF FRAMEWORK** - 145MM X 47MM PLAYGRADE C16 TIMBER
- ROOF** - 16MM POLYCARB GLAZING SYSTEM
- FASCIA** - 190MM X 47MM PLAYGRADE C16 TIMBER
- SIDE FRAMES** - 95MM X 47MM PLAYGRADE C16 TIMBER
- SIDE CLADDING** - 95MM X 25MM PLAYGRADE C16 TIMBER

ALL PLAYGRADE TIMBERS SMOOTH PLANED WITH EASED EDGES.

**FIXING** - STRUCTURE SURFACE FIXED USING GALVANISED STEEL FEET SECURED TO CONCRETE BASE. (CONCRETE BASE INSTALLED BY OTHERS)

**TIMBER** - TANALITH E TREATED (GREEN TREATED)

